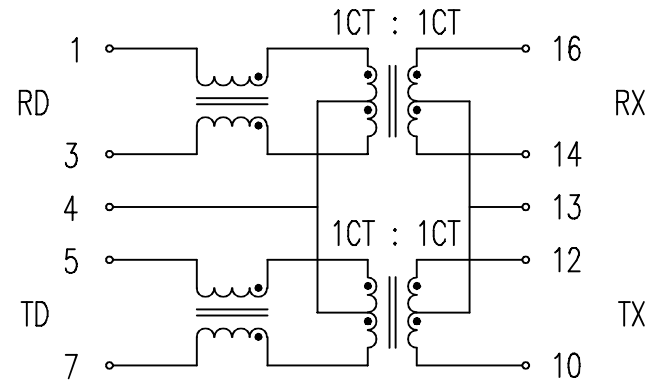


UNLESS OTHERWISE SPECIFIED ALL TOLERANCES ARE : XX.XX ±0.25mm  
0.XX ±0.05mm

UNIT:mm



ELECTRICAL SPECIFICATIONS @25°C :

1. TURNS RATIO : TX = 1CT : 1CT (±5%)  
RX = 1CT : 1CT (±5%)
2. OCL (100KHz/0.1V WITH 8mA/DC BIAS) : 350uH MIN.
3. CW/W (TX/RX) : 50pF
4. PRI DCR : 0.9Ω MAX.
5. LK (@100KHz/0.2V) : 0.6uH MAX.
6. INSERTION LOSS : 1-100MHz = -1.0dB MAX.
7. CROSS TALK : 1-100MHz = -35dB MIN.
8. RETURN LOSS : 30MHz = -16dB MIN.  
40MHz = -15dB MIN.  
50MHz = -13dB MIN.  
60-80MHz = -11dB MIN.
9. CMRR : 1-100MHz = -30dB MIN.
10. HI-POT : 1500Vrms
11. RoHS COMPLIANT

|                                  |  |  |  |  |  |        |  |                                  |  |
|----------------------------------|--|--|--|--|--|--------|--|----------------------------------|--|
|                                  |  |  |  |  |  |        |  | TITLE 10/100 BASE-TX TRANSFORMER |  |
|                                  |  |  |  |  |  |        |  | DWG. NO. ATPL-461R               |  |
| RELEASE                          |  |  |  |  |  | UNITS: |  | SAFETY                           |  |
| NO: DESCRIPTION DATE BY CHK APPD |  |  |  |  |  | DATE   |  | P/N:                             |  |
| REVISIONS                        |  |  |  |  |  |        |  | SHEET 1 of 1                     |  |
|                                  |  |  |  |  |  |        |  | DRAW                             |  |